



Elektrotechnische Fabrik  
GmbH & Co. KG

Bevertalstr. 20  
D-42499 Hückeswagen  
Phone: +49 2192 9166 0  
Fax: +49 2192 9166 66

## Installation Instructions

Cable fuse box HSW 2230

### Intended use

The cable fuse box HSW 2230 is intended to be used in suitable lighting poles.

The cable fuse box HSW 2230 is designed for the connection of max. 3 underground cables.

Any other use of this product requires the consultation with the manufacturer.

### Safety instructions

When working on electrical systems, the valid regulations such as VDE 0100 must be observed. Installation may only be carried out by qualified personnel or instructed persons in a de-energized state.

### Service

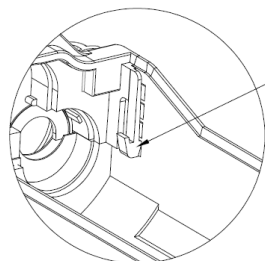
In the event of malfunctions or complaints regarding the product, please contact your sales representative or the manufacturer.

### Technical data

Nominal voltage / -current	400 V / 16 A
Degree of protection	IP54
Protection class	II
Fuses	3 x D01 (E14) 16 A / 400 V
Measurements (L x W x H)	290 x 84 x 72 mm
Pole internal diameter	from Ø 89 mm
Door size	80 x 300 mm
Entry field for wire connection	up to 110 mm
Input connectors	max. 3 cables 5 x 6 – 5 x 16 mm <sup>2</sup>
Output connectors	L max. 2 x 2,5 mm <sup>2</sup> N max. 2 x 2,5 mm <sup>2</sup> PE max. 3 x 2,5 mm <sup>2</sup>

### Mounting in lighting poles

- Remove housing cover
- Remove bridge clamp
- Insert the cable fuse box into open lighting pole and fasten it to the mounting rail



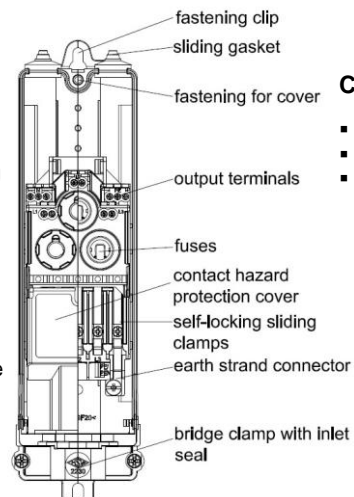
**Bridge clamp strain relief** can be snapped into the lower part of the housing for easier installation. For disassembly, the side lugs must be operated with a slot screwdriver

### Adjust input seal

- Important!** With one input cable, always use the existing opening of the input seal!
- Break out the inlet seal at the engraved points according to the number and diameter of the input cables

### Connecting the input cable

- Strip the input cable and remove the filling material
- Insert the input cable so that the outer sheath extends into the connection compartment
- Snap on bridge clamp and screw tight
- Bending, shortening and stripping cable conductors to suit
- Mount or remove the PE/N - N connection, if present, as required*
- Insert the cable cores into the U-profiles according to the terminal assignment and fasten with the self-locking sliding clamps (torque max. 2 Nm)
- Snap the contact hazard protection cover on

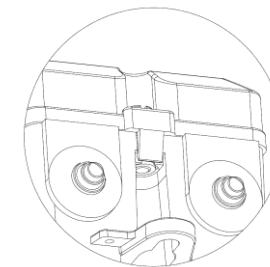


### Connecting the output cable

- Cut off the nipple of the outlet seal to be used
- Slide outlet seal over output cable
- Strip output cable
- Insert the outlet seal with output cable into the slot of the cable fuse box
- Pull the output cable back a little so that the outgoing seal is in full contact with the cable
- Shortening and stripping cable conductors to suit
- Connect the cable cores to the output terminals of the insert (torque max. 0.8Nm) or to special components according to the cable assignment

### Assembly

- Fit housing cover, snap the housing cover and screw it tight



### Special components

- When special components are used, the respective regulations of the devices used must be observed

### Changing fuse inserts

- Remove housing cover
- Remove screw caps and change fuse insert
- Attention!** Do not remove the contact hazard protection cover! It prevents from the accidental contact with live parts!



Elektrotechnische Fabrik  
GmbH & Co. KG

Bevertalstr. 20  
D-42499 Hückeswagen  
Phone: +49 2192 9166 0  
Fax: +49 2192 9166 66

## Installation Instructions

Cable fuse box HSW 2230

### Intended use

The cable fuse box HSW 2230 is intended to be used in suitable lighting poles.

The cable fuse box HSW 2230 is designed for the connection of max. 3 underground cables.

Any other use of this product requires the consultation with the manufacturer.

### Safety instructions

When working on electrical systems, the valid regulations such as VDE 0100 must be observed. Installation may only be carried out by qualified personnel or instructed persons in a de-energized state.

### Service

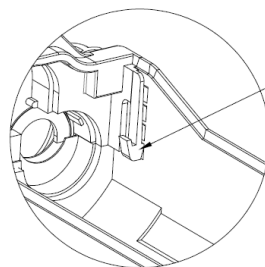
In the event of malfunctions or complaints regarding the product, please contact your sales representative or the manufacturer.

### Technical data

Nominal voltage / -current	400 V / 16 A
Degree of protection	IP54
Protection class	II
Fuses	3 x D01 (E14) 16 A / 400 V
Measurements (L x W x H)	290 x 84 x 72 mm
Pole internal diameter	from Ø 89 mm
Door size	80 x 300 mm
Entry field for wire connection	up to 110 mm
Input connectors	max. 3 cables 5 x 6 – 5 x 16 mm <sup>2</sup>
Output connectors	L max. 2 x 2,5 mm <sup>2</sup> N max. 2 x 2,5 mm <sup>2</sup> PE max. 3 x 2,5 mm <sup>2</sup>

### Mounting in lighting poles

- Remove housing cover
- Remove bridge clamp
- Insert the cable fuse box into open lighting pole and fasten it to the mounting rail



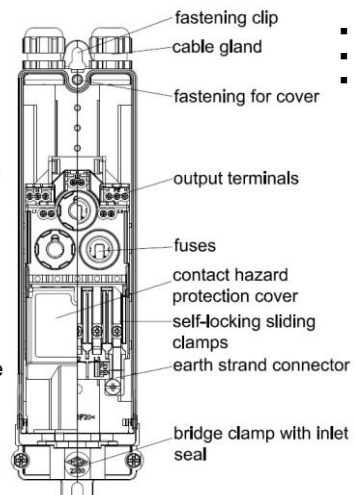
**Bridge clamp strain relief** can be snapped into the lower part of the housing for easier installation. For disassembly, the side lugs must be operated with a slot screwdriver

### Adjust input seal

- Important!** With one input cable, always use the existing opening of the input seal!
- Break out the inlet seal at the engraved points according to the number and diameter of the input cables

### Connecting the input cable

- Strip the input cable and remove the filling material
- Insert the input cable so that the outer sheath extends into the connection compartment
- Snap on bridge clamp and screw tight
- Bending, shortening and stripping cable conductors to suit
- Mount or remove the PE/N - N connection, if present, as required*
- Insert the cable cores into the U-profiles according to the terminal assignment and fasten with the self-locking sliding clamps (torque max. 2 Nm)
- Snap the contact hazard protection cover on

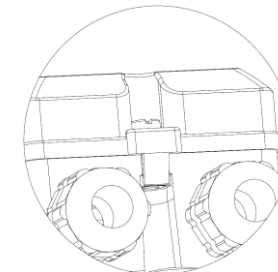


### Connecting the output cable

- Strip the output cable, shortening and stripping cores
- Insert the output cable through the cable gland
- Screw the pressure nut together until the seal set between nut and cable forms a small bead
- Connect the cable cores to the output terminals of the insert (torque max. 0.8Nm) or to special components according to the cable assignment

### Assembly

- Fit housing cover, snap the housing cover and screw it tight



### Special components

- When special components are used, the respective regulations of the devices used must be observed

### Changing fuse inserts

- Remove housing cover
- Remove screw caps and change fuse insert
- Attention!** Do not remove the contact hazard protection cover! It prevents from the accidental contact with live parts!