



Elektrotechnische Fabrik  
GmbH & Co. KG

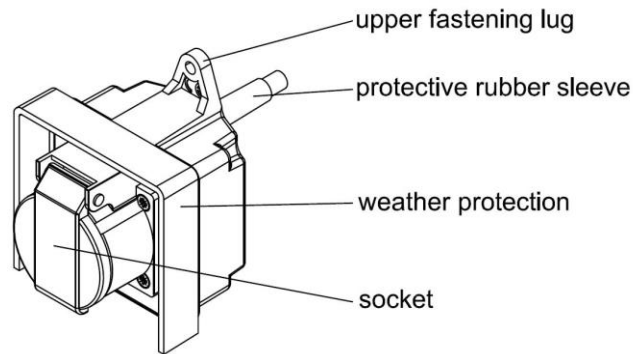
Bevertalstraße 20  
D-42499 Hückeswagen  
Tel.: +49 2192 9166 0  
Fax: +49 2192 9166 66

### Mounting

- Drill a hole with  $\varnothing 12$  mm for the connection cable
- Insert the connection cable through the hole
- Adjust the pole mount socket and press it against the pole
- Fasten the pole mount socket to the pole with the two drilling screws (4,8 x 22; SAF8)

### Connection

- Insert the connecting cable into the cable fuse box and connect according to the cable assignment



## Installation Instructions

Pole mount socket HSW 4022

### Intended use

The pole mount socket HSW 4022 is intended to add-on to a suitable lighting poles. Any other use of this product requires the consultation with the manufacturer.

### Safety instructions

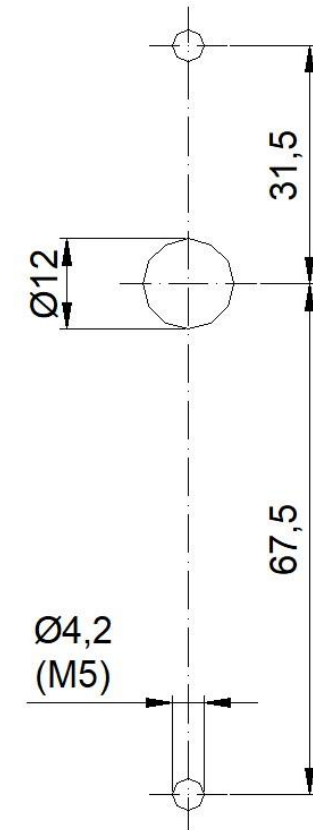
When working on electrical systems, the valid regulations such as VDE 0100 must be observed. Installation may only be carried out by qualified personnel or instructed persons in a de-energized state.

### Service

In the event of malfunctions or complaints regarding the product, please contact your sales representative or the manufacturer.

### Technical data

Socket	Swiss standard outlet type 23 / IP55
Standard	SN441011
Nominal voltage / -current	250 V / 16 A
Measurements (L x W x H)	111 x 86 x 83 mm



**drill pattern**  
scale 1:1