



Elektrotechnische Fabrik
GmbH & Co. KG

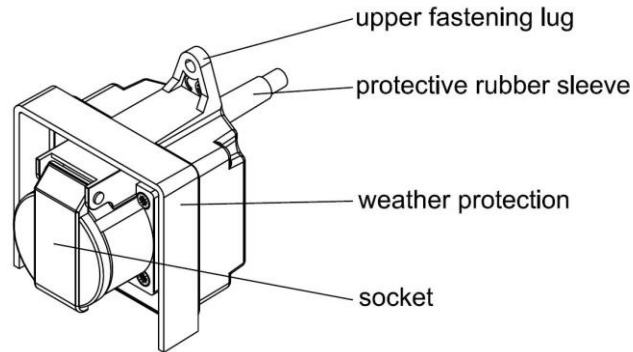
Bevertalstraße 20
D-42499 Hückeswagen
Tel.: +49 2192 9166 0
Fax: +49 2192 9166 66

Mounting

- Drill a hole with $\varnothing 12$ mm for the connection cable
- Insert the connection cable through the hole
- Adjust the pole mount socket and press it against the pole
- Fasten the pole mount socket to the pole with the two drilling screws (4,8 x 22; SAF8)

Connection

- Insert the connecting cable into the cable fuse box and connect according to the cable assignment



Installation Instructions

Pole mount socket HSW 4021

Intended use

The pole mount socket HSW 4021 is intended to add-on to a suitable lighting poles. Any other use of this product requires the consultation with the manufacturer.

Safety instructions

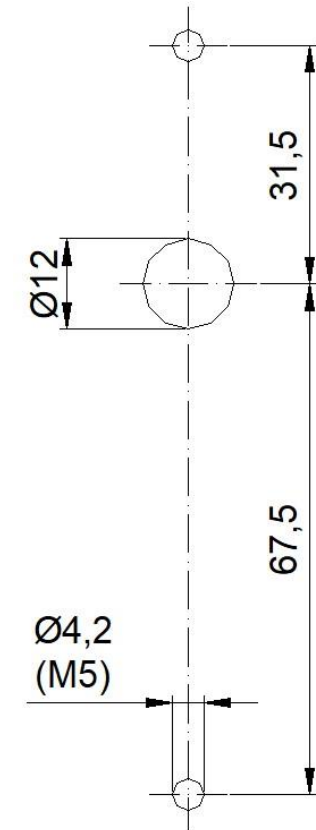
When working on electrical systems, the valid regulations such as VDE 0100 must be observed. Installation may only be carried out by qualified personnel or instructed persons in a de-energized state.

Service

In the event of malfunctions or complaints regarding the product, please contact your sales representative or the manufacturer.

Technical data

| | |
|----------------------------|--------------------------------------|
| Socket | Swiss standard outlet type 13 / IP55 |
| Standard | SN441011 |
| Nominal voltage / -current | 250 V / 10 A |
| Measurements (L x W x H) | 111 x 86 x 83 mm |



drill pattern
scale 1:1