

HSW
STADTFELD

Elektrotechnische Fabrik
GmbH & Co. KG



Pole mount sockets

www.hsw-stadtfeld.de

Pole mount sockets

The HSW 4010/20 series

The sockets of the HSW 4010/4020 series are ideal for fast assembly on conical or cylindrical masts due to their completely pre-wired design. They can be easily attached for external connections, e.g. for installing Christmas and illumination lighting as well as advertising spaces.

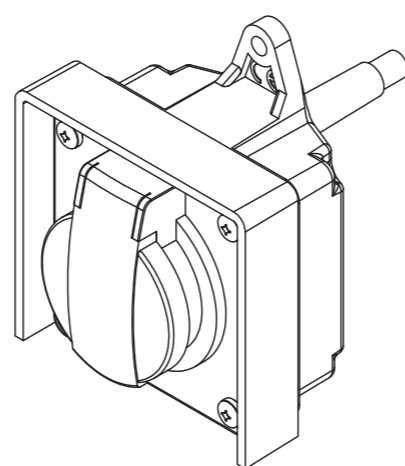
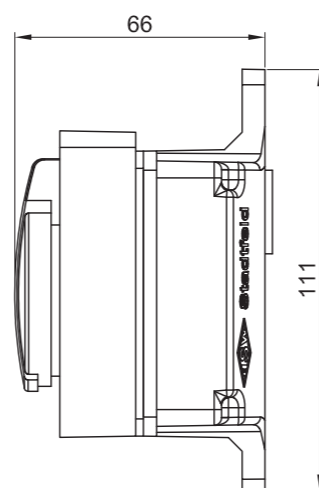
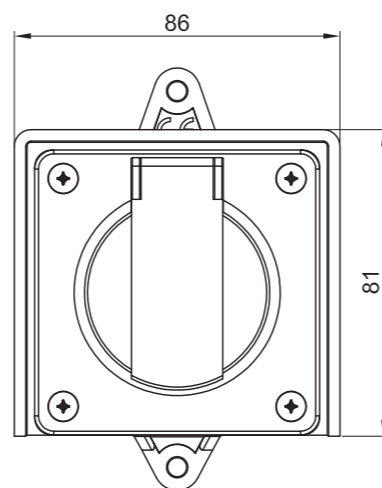
Delivery content:

2 drilling screws 4.8 x 22 mm
Connection cable

Connection cable:

H05VV-F 3 x 1.5 mm² in 4,500 mm, 6,000 mm or 8,000 mm lengths, other lengths on request

> Data sheets, installation instructions and all other information on the series HSW 4010/20 can be found on the internet at www.hsw-stadtfield.de



Dimensional-sketch HSW 4011

Various set-ups HSW 4010 and HSW 4020

	Socket	Rated voltage	Rated current	Measurements (L x W x H)	
HSW 4011	Safety socket outlet IP54	250 V	16 A	111 x 86 x 66 mm	
HSW 4012	Safety socket outlet IP68	250 V	16 A	111 x 75 x 83 mm	
HSW 4015	CEE socket IP44	250 V	16 A	111 x 86 x 93 mm	
HSW 4016	CEE socket IP67	250 V	16 A	111 x 86 x 95 mm	
HSW 4021	Swiss standard type 13 / IP55 according to new Swiss standard SN441011	250 V	10 A	111 x 86 x 83 mm	
HSW 4022	Swiss standard type 23 / IP55 according to new Swiss standard SN441011	250 V	16 A	111 x 86 x 83 mm	
HSW 4023	French / Belgian standard / IP54	250 V	16 A	111 x 86 x 60 mm	

Pole mount sockets

The HSW 4040 series

Our pole mount sockets HSW 4040 with integrated circuit breaker guarantee a safe connection. The integrated circuit breaker, which can be accessed without tools, enables a simple and safe supply.

Delivery content:

- 2 drilling screws 4.8 x 22 mm
- Connection cable

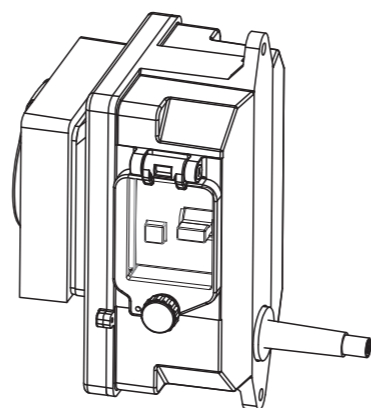
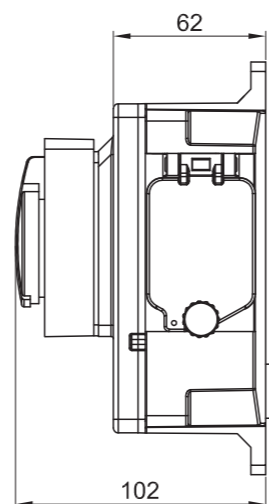
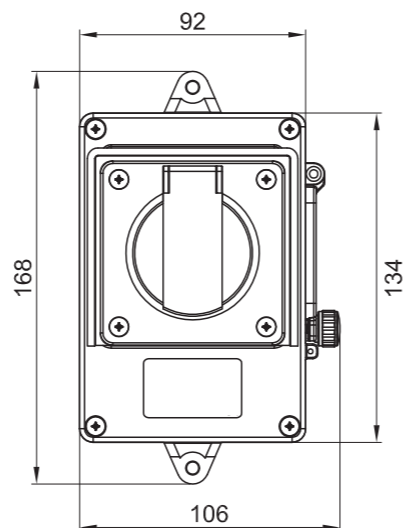
Connection cable:

H05VV-F 3 x 1.0 mm² in 4,500 mm, 6,000 mm or 8,000 mm lengths, other lengths on request

Equipment variants:

- Residual current circuit breaker (RCCB)
- Residual current circuit breaker with overcurrent protection (RCBO)

> Data sheets, installation instructions and all other information on the series HSW 4040 can be found on the internet at www.hsw-stadtfeld.de



Dimensional-sketch HSW 4041

Various set-ups HSW 4040

	Socket	Rated voltage	Rated current	Degree of protection	Measurements (L x W x H)	
HSW 4041	Safety socket outlet IP54	250 V	16 A	IP54	168 x 106 x 102 mm	
HSW 4042	Safety socket outlet IP68	250 V	16 A	IP66	168 x 106 x 107 mm	
HSW 4043	CEE socket IP44	250 V	16 A	IP54	168 x 106 x 129 mm	
HSW 4044	CEE socket IP67	250 V	16 A	IP66	168 x 106 x 131 mm	
HSW 4045	Swiss standard type 13 / IP55 according to new Swiss standard SN441011	250 V	10 A	IP55	168 x 106 x 110 mm	
HSW 4046	Swiss standard type 23 / IP55 according to new Swiss standard SN441011	250 V	16 A	IP55	168 x 106 x 110 mm	
HSW 4047	French / Belgian standard / IP54	250 V	16 A	IP54	168 x 106 x 96 mm	
HSW 4049	4 pole (3+PE) connector as flange socket including sealing cap IP66	250 V	16 A	IP66	168 x 106 x 110 mm	

Pole mount sockets

> The HSW 4030 series

The socket of the HSW 4030 series is ideal for fast assembly on conical or cylindrical masts due to their completely pre-wired design. They can be easily attached for external connections, e. g. for installing Christmas and illumination lighting as well as advertising spaces.

Delivery content:

2 drilling screws 4.8 x 22 mm
Connection cable

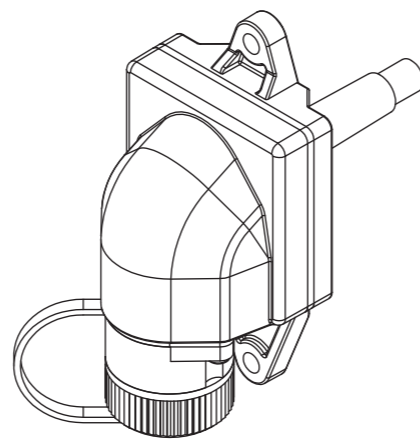
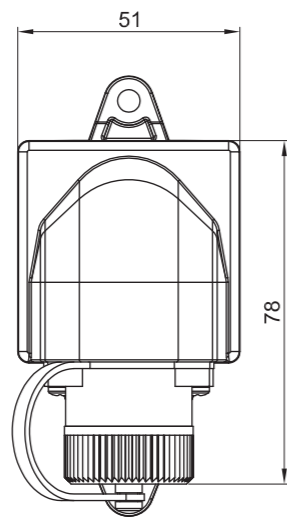
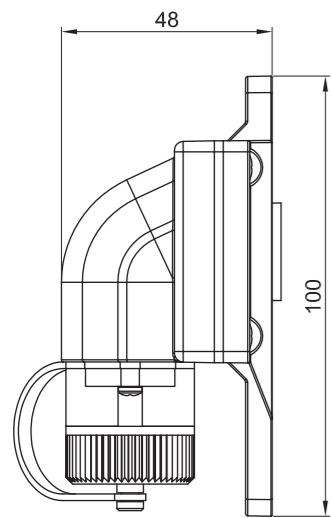
Connection cable:

H05VV-F 3 x 1.5 mm² in 4,500 mm, 6,000 mm or 8,000 mm lengths, other lengths on request


Equipment variants:

Matching cable connector

> Data sheets, installation instructions and all other information on the series HSW 4030 can be found on the internet at www.hsw-stadtfield.de



Dimensional-sketch HSW 4031

	Socket	Rated voltage	Rated current	Degree of protection	Measurements (L x W x H)	
HSW 4031	4 pole (3+PE) connector as flange socket including sealing cap IP66	250 V	16 A	IP66	100 x 51 x 48 mm	

> You need something more individual?

We at HSW Stadtfield have the ambition to be there for our customers as problem solvers. We develop solutions for standard applications, but also fulfil your individual requirements within the scope of technical possibilities. We see ourselves as a partner who is by your side.

We also manufacture our pole mount sockets of the 4010/20, 4030 and 4040 series individually according to customer requirements.

We assemble any plug connections that can be integrated into our housing. If you require other rail-mounted devices and circuit breaker devices than those in our standard range, we will be pleased to realise your wishes.

We deliver our pole mount sockets with a pre-assembled cable in a length of 4.5 m, 6 m or 8 m. Of course, we also offer special lengths upon customer request. Our in-house cable assembly allows us maximum flexibility. We can offer you cables in different lengths with eyelet, captive screw or ultrasonically welded cable end.

Just contact us!

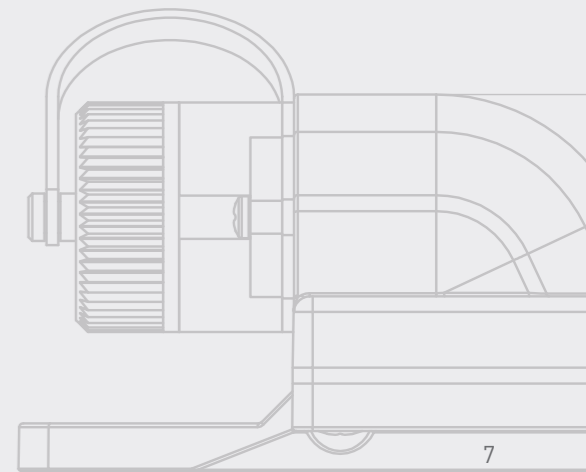


> Any questions?

Just give us a call or send us an email.

HSW Stadtfield

Bevertalstraße 20
D-42499 Hückeswagen
Phone +49 2192 9166 0
hsw@hsw-stadtfield.de



> Do you need more information?

Just give us a call
or take a look at
our website.

HSW Stadtfeld

Bevertalstraße 20
D-42499 Hückeswagen
Phone +49 2192 9166 0
hsw@hsw-stadtfeld.de

www.hsw-stadtfeld.de



Elektrotechnische Fabrik
GmbH & Co. KG