

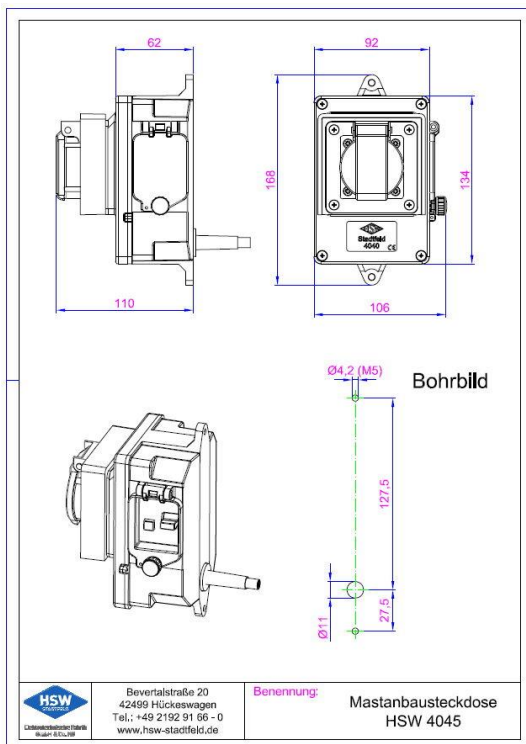


Elektrotechnische Fabrik
GmbH & Co. KG

Pole mount socket HSW 4045

Technical data

Socket	Swiss standard type 13 /IP55
Standard	SN441011
Rated voltage	250 V
Rated current	10 A
Degree of protection	IP55
Measurements (L x W x H)	168 x 106 x 110 mm



Delivery content

2 drilling screws 4,8 x 22 mm

Connection cable



Equipment variants

Residual current circuit breaker (RCCB)

Residual current circuit breaker with overcurrent
protection (RCBO)

Connection cable H05VV-F 3 x 1,0 mm² in 4.500 mm,
6.000 mm or 8.000 mm length

(other lengths on request)



Bevertalstraße 20
42499 Hückeswagen
Tel.: +49 2192 91 66 - 0
www.hsw-stadtfeld.de

Benennung:

Mastanbausteckdose
HSW 4045