

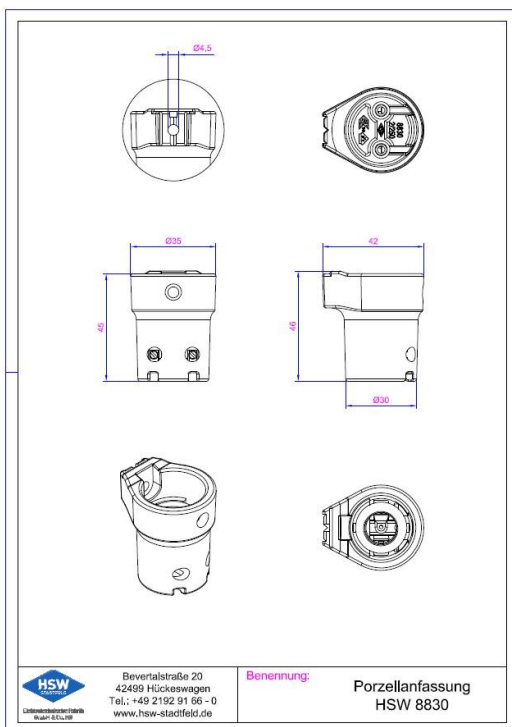


Elektrotechnische Fabrik
GmbH & Co. KG

Porcelain socket HSW 8830

Technical data

Type of socket	One-piece porcelain socket E14
Rated voltage	250 V
Rated current	2 A
Rated temperature	180 °C
Mounting	Flange mounting for M4
Connection	0,5 mm ² up to 2,5 mm ²



Delivery content

Nickel-plated brass contacts

Middle contact with spring loaded contact

 Bevertalstraße 20
42499 Hückeswagen
Tel.: +49 2192 91 66 - 0
www.hsw-stadtfeld.de

Benennung: Porzellanfassung
HSW 8830

Print errors and technical changes excepted (Status: July 2019)