

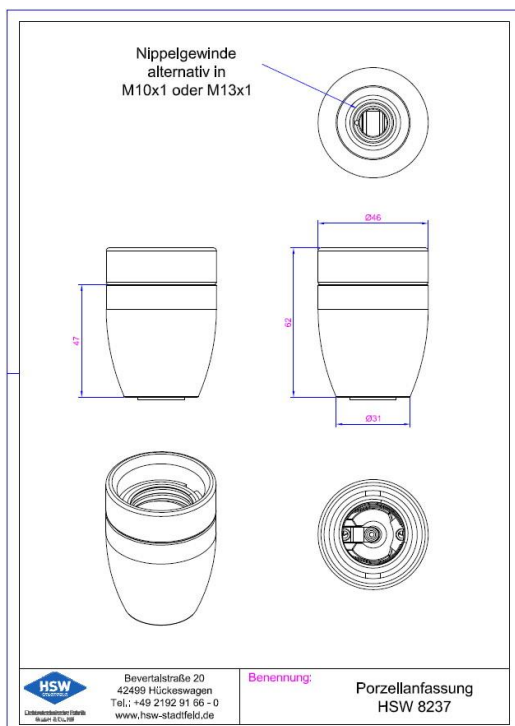


Elektrotechnische Fabrik  
GmbH & Co. KG

## Porcelain socket HSW 8237

### Technical data

Type of socket	Three-piece porcelain socket E27
Rated voltage	500 V
Rated current	4 A
Rated temperature	210 °C
Mounting	Nipple thread M10 x 1, M13 x 1
Connection	0,5 mm <sup>2</sup> up to 2,5 mm <sup>2</sup>



### Delivery content

Nickel-plated brass contacts

Middle contact with spring loaded contact