

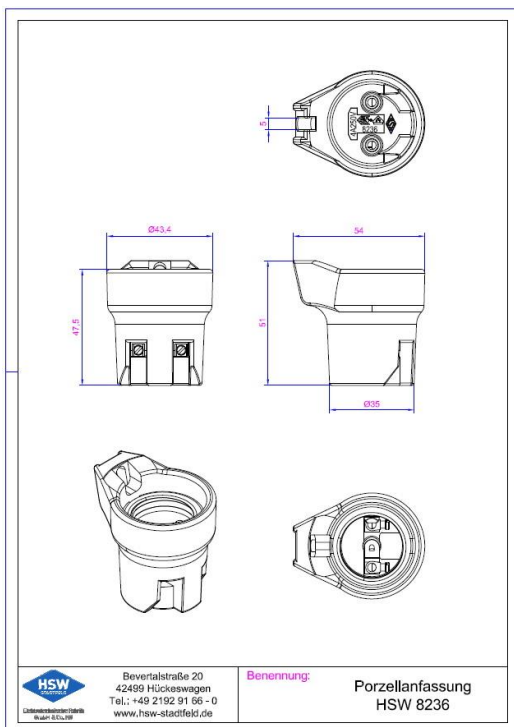


Elektrotechnische Fabrik
GmbH & Co. KG

Porcelain socket HSW 8236

Technical data

| | |
|-------------------|---|
| Type of socket | One-piece porcelain socket E27 |
| Rated voltage | 250 V |
| Rated current | 4 A |
| Rated temperature | 210 °C |
| Mounting | Flange mounting for M4 |
| Connection | 0,5 mm ² up to 2,5 mm ² ; 2 x 1,5 mm ² looped through |



Delivery content

Nickel-plated brass contacts

Middle contact with spring loaded contact

Print errors and technical changes excepted (Status: July 2019)