

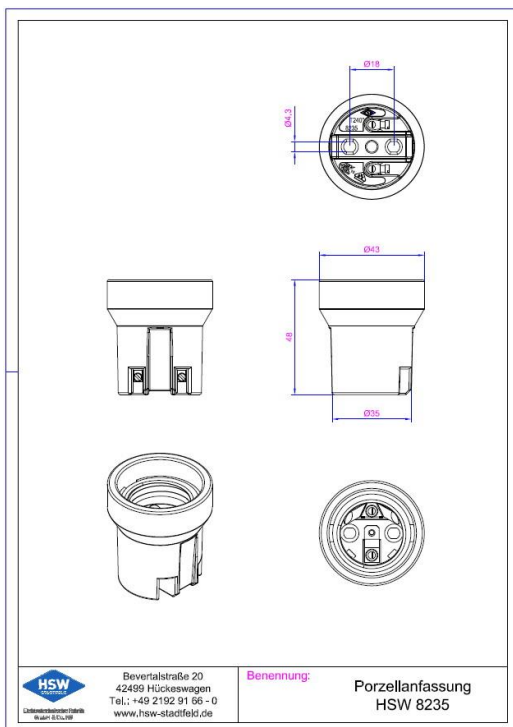


Elektrotechnische Fabrik
GmbH & Co. KG

Porcelain socket HSW 8235

Technical data

Type of socket	One-piece porcelain socket E27
Rated voltage	750 V
Rated current	4 A
Rated temperature	240 °C
Mounting	Through hole mounting for M4 (Hole spacing 18 mm)
Connection	0,5 mm ² up to 2,5 mm ²



Delivery content

Nickel-plated brass contacts

Middle contact with spring loaded contact

 Bevertalstraße 20
42499 Hückeswagen
Tel.: +49 2192 91 66 - 0
www.hsw-stadtfeld.de

Benennung: Porzellanfassung
HSW 8235

Print errors and technical changes excepted (Status: July 2019)