

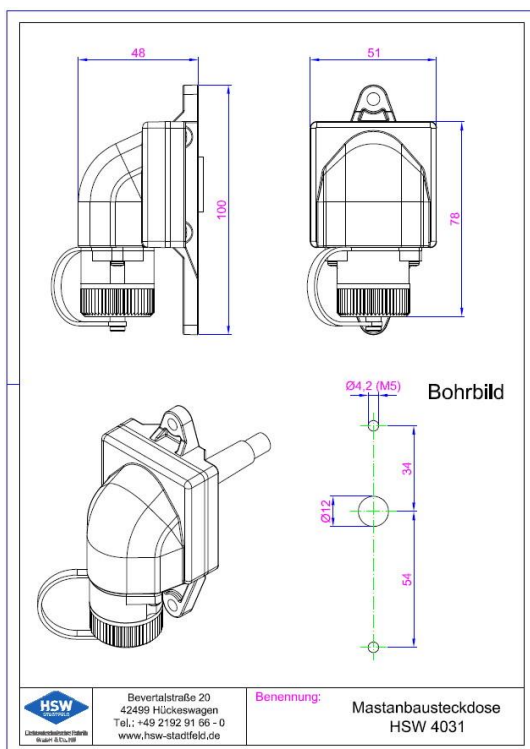


Elektrotechnische Fabrik
GmbH & Co. KG

Pole mount socket HSW 4031

Technical data

Socket	4 pole (3+PE) connector as flange socket including sealing cap IP66
Rated voltage	250 V
Rated current	16 A
Degree of protection	IP66
Measurements (L x W x H)	100 x 51 x 48 mm



Delivery content

2 drilling screws 4,8 x 22 mm

Connection cable

Equipment variants

Connection cable H05VV-F 3 x 1,5 mm² in 4.500 mm,
6.000 mm or 8.000 mm lengths

(other lengths on request)

Matching cable connector