

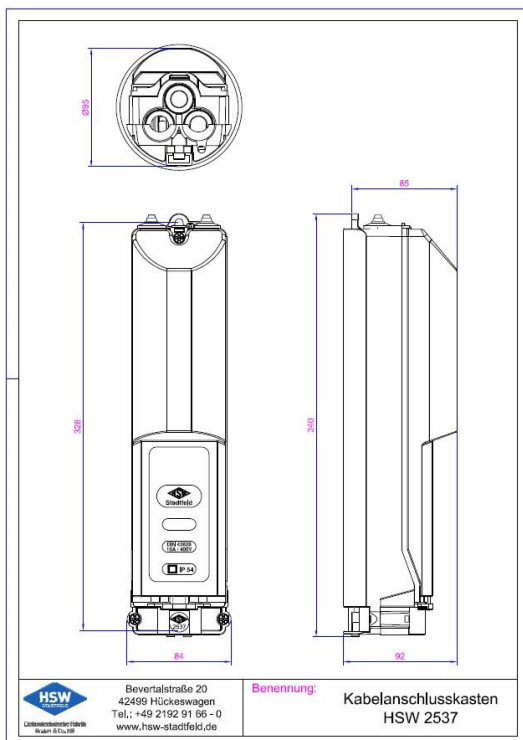


Elektrotechnische Fabrik  
GmbH & Co. KG

## Cable fuse box HSW 2537

### Technical data

Nominal voltage / -current	400 V / 16 A
Degree of protection	IP54
Protection class	II
Fuses	3 x D01 (E14) up to 16 A
Measurements (L x W x H)	340 x 84 x 92 mm
Pole internal diameter	from 95 mm
Door size	from 85 x 350 mm
Input connectors	3 cables 5 x 6 mm <sup>2</sup> up to 5 x 16 mm <sup>2</sup>
Output connectors	2 cables 4/5 x 1,5 mm <sup>2</sup> up to 4/5 x 2,5 mm <sup>2</sup>
Applied standards	DIN VDE 0660-505; DIN 43628



### Delivery content

Screw caps  
Sliding gaskets

### Zubehör

Cable gland M20 x 1,5 mm  
Fuse inserts and sleeves  
Screws for light pole connection M6 x 12 mm  
Mounting kit HSW 170  
Different earth conductor  
Housing cover in clear or black  
Surge protection HSW 7020  
RCBO or RCCB

Print errors and technical changes excepted (Status: July 2019)