

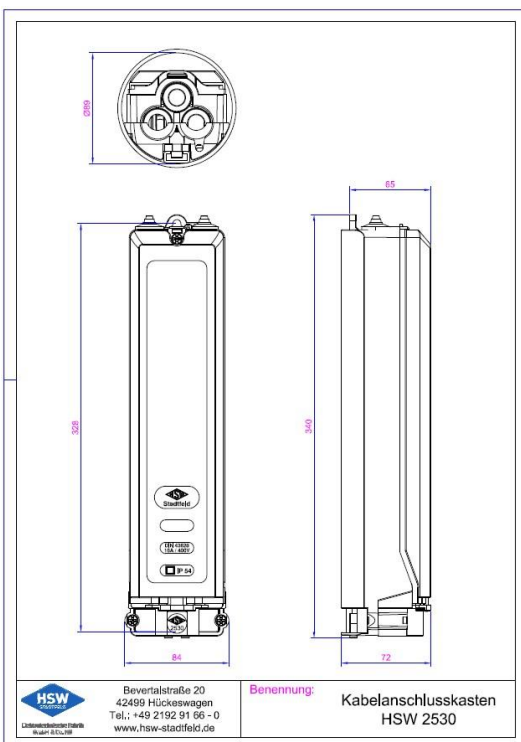


Elektrotechnische Fabrik  
GmbH & Co. KG

## Cable fuse boxes HSW 2530 HSW 2535 HSW 2539

### Technical data

Nominal voltage / -current	400 V / 16 A	
Degree of protection	IP54	
Protection class	II	
Fuses	3 x D01 (E14) up to 16 A	
Measurements (L x W x H)	HSW 2530	340 x 84 x 72 mm
	HSW 2535	340 x 84 x 79 mm
	HSW 2539	340 x 84 x 92 mm
Pole internal diameter	HSW 2530	from 89 mm
	HSW 2535	from 95 mm
	HSW 2539	from 106 mm
Door size	from 85 x 350 mm	
Input connectors	3 cables 5 x 6 mm <sup>2</sup> up to 5 x 16 mm <sup>2</sup>	
Output connectors	2 cables 4/5 x 1,5 mm <sup>2</sup> up to 4/5 x 2,5 mm <sup>2</sup>	
Applied standards	DIN VDE 0660-505; DIN 43628	



### Delivery content

Screw caps  
Sliding gaskets

### Accessory

Cable gland M20 x 1,5 mm  
Fuse inserts and sleeves  
Screws for light pole connection M6 x 12 mm  
Mounting kit HSW 170  
Different earth conductor  
Housing cover in clear or black  
Surge protection HSW 7020



REG.-Nr. 122009

Print errors and technical changes excepted (Status: July 2019)