

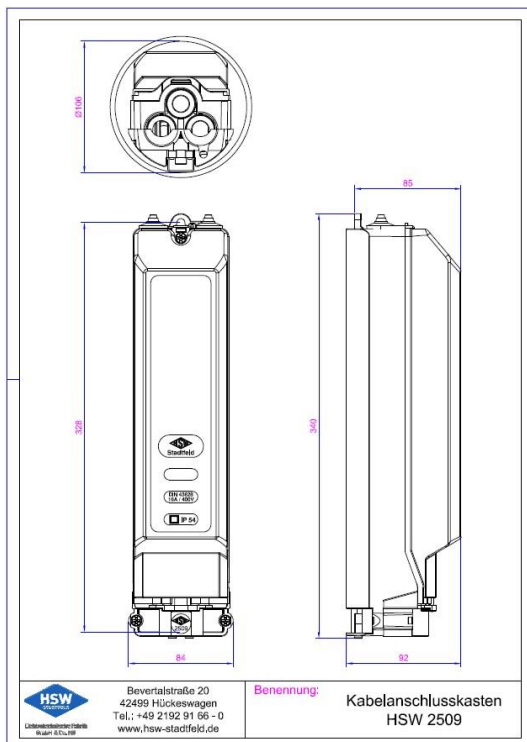


Elektrotechnische Fabrik
GmbH & Co. KG

Cable junction box HSW 2509

Technical data

Nominal voltage / -current	400 V / 16 A
Degree of protection	IP54
Protection class	II
Measurements (L x W x H)	340 x 84 x 92 mm
Pole internal diameter	from 106 mm
Door size	from 85 x 350 mm
Entry field for wire connection	3 cables 5 x 6 mm ² up to 5 x 16 mm ²
Output connectors	2 cables 4/5 x 1,5 mm ² up to 4/5 x 2,5 mm ²
Applied standards	DIN VDE 0660-505; DIN 43628



Delivery content

Sliding gaskets

Accessory

Cable gland M20 x 1,5 mm

Screws for light pole connection M6 x 12 mm

Mounting kit HSW 170

Different earth conductor

Housing cover in clear or black

Surge protection HSW 7020

Print errors and technical changes excepted (Status: July 2019)