

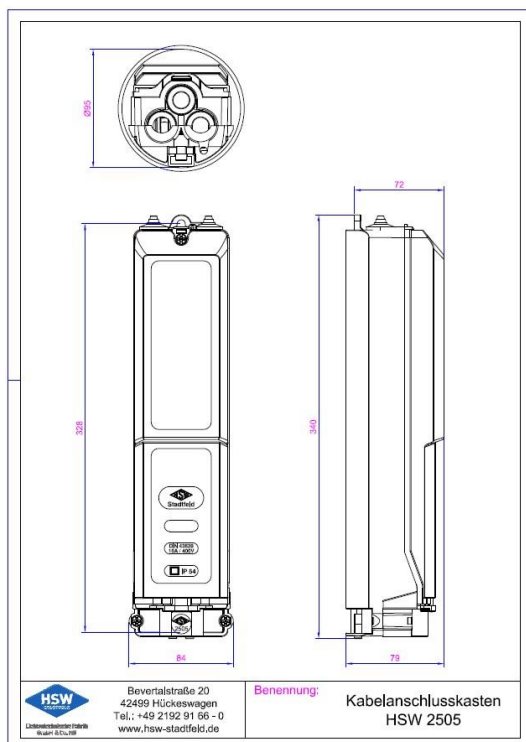


Elektrotechnische Fabrik  
GmbH & Co. KG

## Cable junction boxes HSW 2500 HSW 2505

### Technical data

Nominal voltage / -current		400 V / 16 A
Degree of protection		IP54
Protection class		II
Measurements (L x W x H)	HSW 2500	340 x 84 x 72 mm
	HSW 2505	340 x 84 x 79 mm
Pole internal diameter		from 89 mm from 95 mm
Door size		from 85 x 350 mm
Output connectors		2 cables 4/5 x 1,5 mm <sup>2</sup> up to 4/5 x 2,5 mm <sup>2</sup>
Applied standards		DIN VDE 0660-505; DIN 43628



### Delivery content

Sliding gaskets

### Accessory

Cable gland M20 x 1,5 mm

Screws for light pole connection M6 x 12 mm

Mounting kit HSW 170

Housing cover in clear or black

Surge protection HSW 7020

Print errors and technical changes excepted (Status: July 2019)