

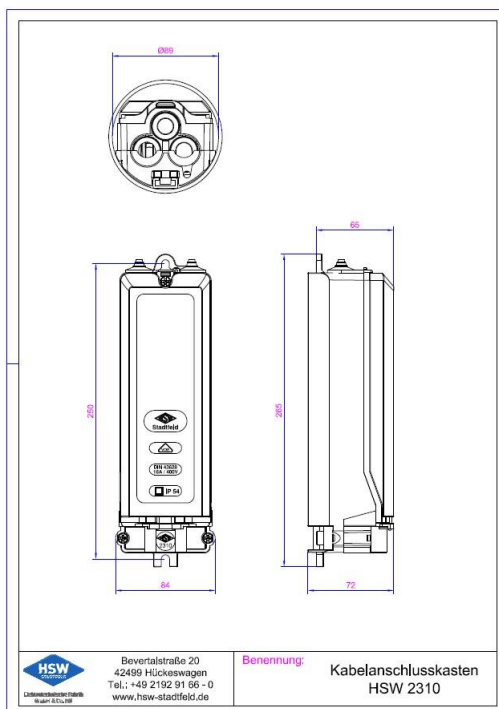


Elektrotechnische Fabrik
GmbH & Co. KG

Cable fuse box HSW 2310

Technical data

Nominal voltage / -current	400 V / 16 A
Degree of protection	IP54
Protection class	II
Fuses	2 x D01 (E14) up to 16 A
Measurements (L x W x H)	265 x 84 x 72 mm
Pole internal diameter	from 89 mm
Door size	from 80 x 270 mm
Entry field for wire connection	up to 85 mm
Input connectors	3 cables 5 x 6 mm ² up to 5 x 16 mm ²
Output connectors	2 cables 4/5 x 1,5 mm ² up to 4/5 x 2,5 mm ²
Applied standards	DIN VDE 0660-505; DIN 43628



Delivery content

Screw caps
Sliding gaskets

Accessory

Fuse inserts and sleeves
Screws for light pole connection M6 x 12 mm
Mounting kit HSW 170
Different earth conductor
Housing cover in clear or black



Print errors and technical changes excepted (Status: July 2019)